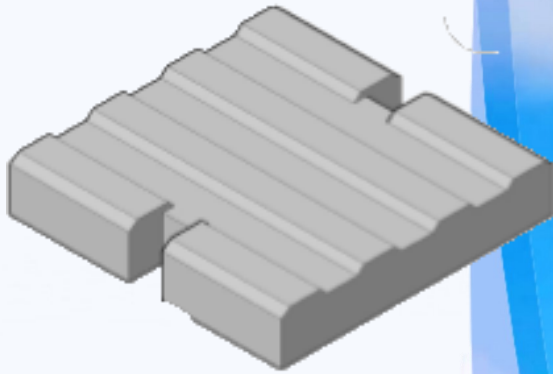




BCI ALGÉRIE
Certification ISO 9001



RIP PIECES -GM-



**SAPCI est votre partenaire
sur chantier pour tous vos travaux
en Béton prêt à l'emploi**

BÉTON PRÊT A L'EMPLOI

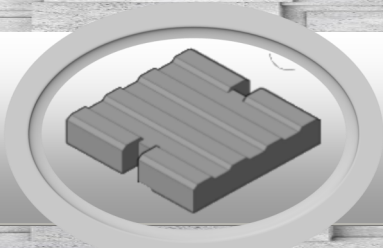


**Centre de production de BPE
Ouled Heddadj**



**Unité de Production BPE
Ouled Heddadj 35052
W.Boumerdès
Mob.: 0560 02 57 85**

SAPCI votre partenaire depuis 1969
www.sapci-dz.com



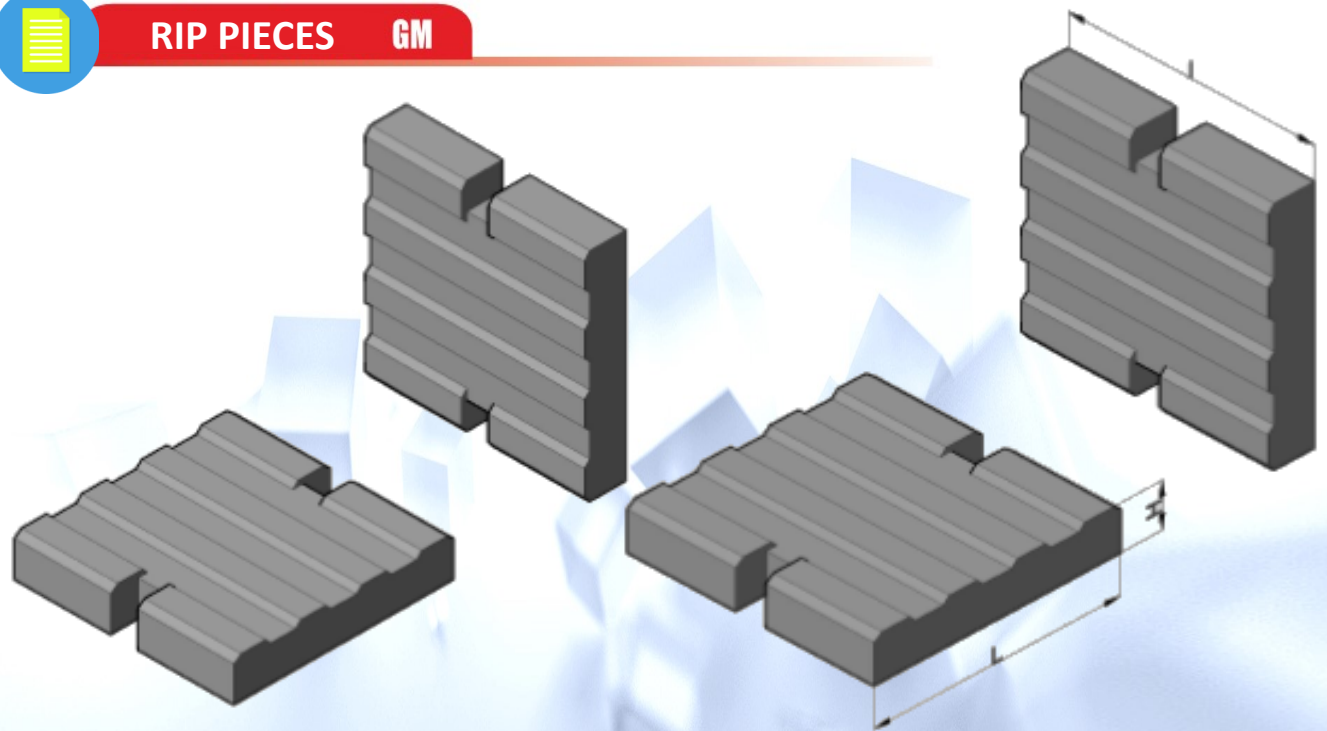
RIP PIECES

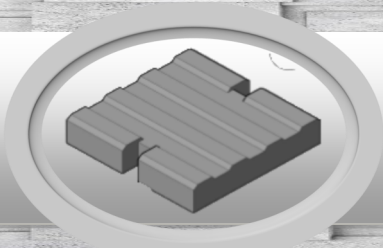


Désignation	Dimension in cm			Unit Weight in kg	Nb . by Palette	Class of concrete MPA
	H	I	L			
PE-GM	15	80	80	215	10	25

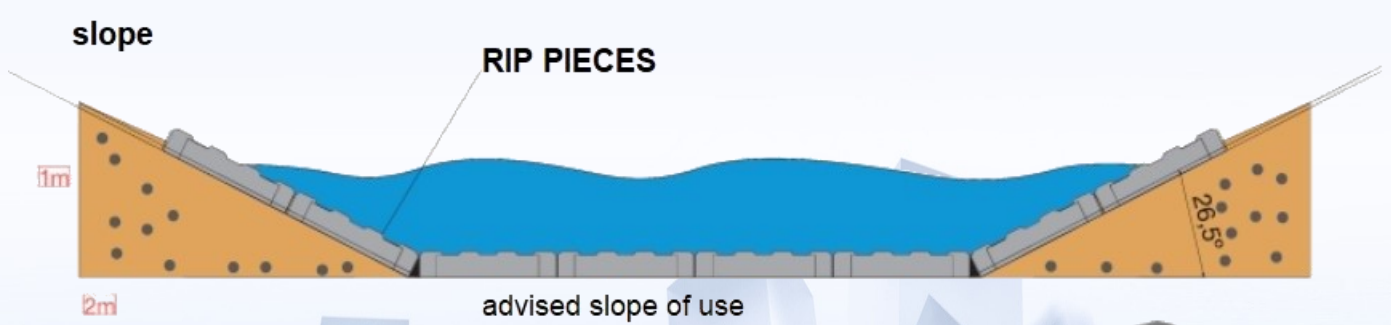
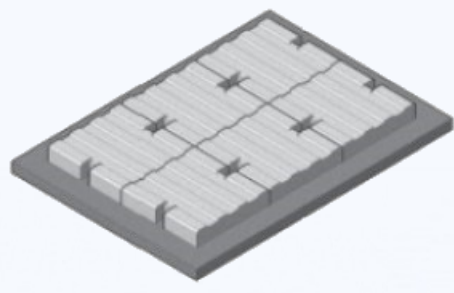
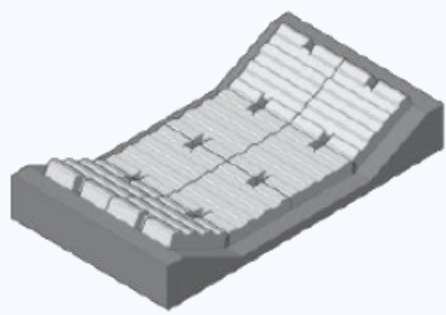


RIP PIECES GM





RIP PIECES



The Rip pieces in Concrete, replaces in a work with the natural stone.

We succeed with this piece to put collectors, dams etc.

In a minimum amount of time and with absolute investment security, naturally with very competitive prices.

The piece has dimensions already studied and calculated only by its own weight and its geometry is very stable once placed; since it works like a puzzle and it is almost impossible to dismantle a single piece.

It alternatively has the protuberance in its upper part, which prevents slipping and they generate turbulence in the water, thus slowing the speed of the water if it is necessary.

